

# Spec Sheet

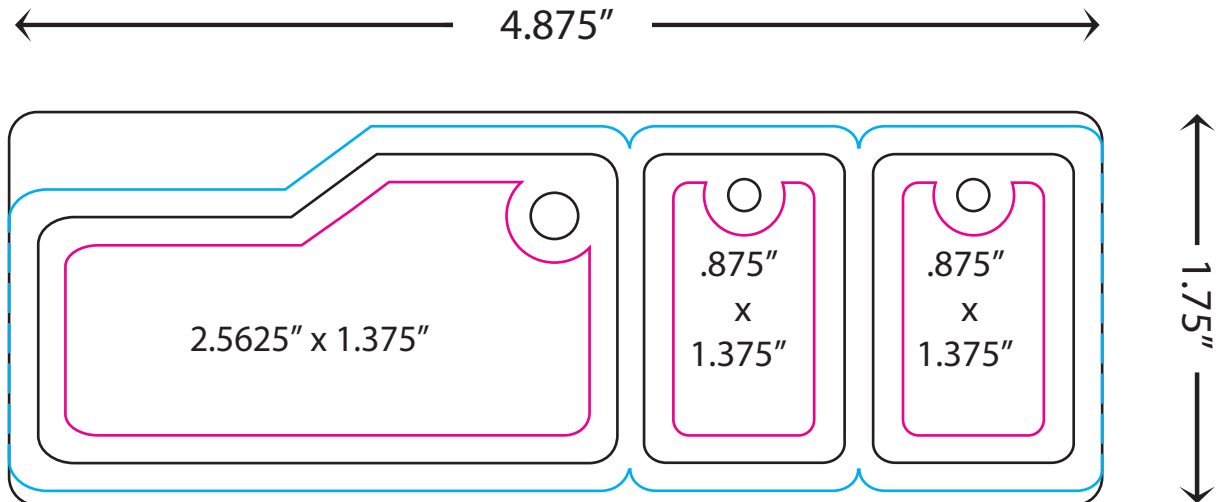
## Combo Card #3

### IMPORTANT:

Artwork must be supplied in high resolution.  
300dpi minimum for raster OR vector files.

We accept only the follow file formats:  
PDF, EPS, TIFF, JPEG, PSD, AI, INDD, CDR

If fonts are used in your layout, please embed or  
outline them prior to output.



**NOTE:** This specification sheet is not presented in full size. Please use the provided specifications to design your files, or download the accompanying template if you prefer to design directly from it.

### DIMENSIONS:

#### Card:

Safe Zone	2.4375" x 1.25"
Cut Line	2.5" x 1.375"
Bleed	2.75" x 1.625"

#### Key Tags:

Safe Zone	0.75" x 1.25"
Cut Line	.875" x 1.375"
Bleed	1.125" x 1.625"

#### Full Layout Size:

Cut Line	4.875" x 1.75"
----------	----------------



**Questions?** 800.749.1011  
or visit [www.IDsource.com](http://www.IDsource.com)